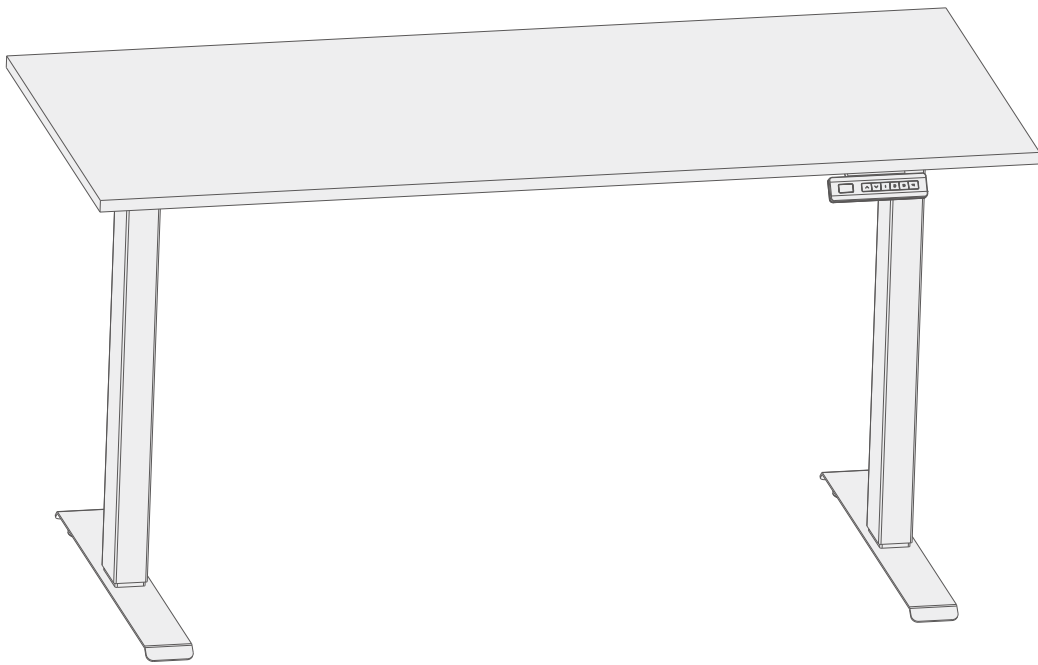


JUNIOR

Height Adjustable Desk

Assembly Guide And User Manual



NUMBER OF PEOPLE
X2



ASSEMBLY TIME
15 MINUTES



PLEASE ASSEMBLE
ON THE CARPET













This desk can only be used with the electric control system provided (This product must be powered on). All personnel responsible for the installation and maintenance of this table should read the instructions carefully.











Transportation

Please handle with care and avoid products falling.

Assembly

-  Check package contents for completeness or damage before assembly.
-  Check the product appearance and wire for obvious damage, do not install or operate products if damaged.
-  Make sure the product is not connected to a power source during assembly.
-  Ensure that there are no unnecessary obstacles near the assembly area.
-  Ensure that personnel with limited knowledge to respond to hazards are not involved in the assembly process.
-  Children are not allowed to participate in the assembly process to avoid accidentally swallow the installation parts.
-  Do not immerse any components in liquid and clean only with a dry or slightly damp cloth.
-  Do not place any wires under continuous heating source.
-  Be careful not to trip over the wires and to prevent entanglement (between wires and wires, between wires and people).
-  Please be careful to avoid electric shock when plugging in.

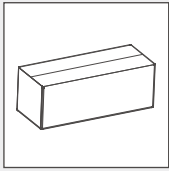
Using

-  Persons without permission (Children with limited knowledge to potential hazards, people affected by drugs, etc.) should not use, clean or maintain equipment without supervision.
-  Don't sit or stand on the desk.
-  Power the desk off first, and then go under the desk to fix the table top or clean it.
-  Avoid injury caused by collision with desk corners.
-  The desk should not be used in obstructed areas, such as under window edges, cabinets, etc. Please used the desk over 5cm away from the wall.
-  When resetting the desk, please remove everything under the desk, such as chair, cabinet.
-  Please adjust the height of the desk to the lowest and remove all things on the table top before moving the table.
-  Children are not allowed to play with products as toys.
-  After 1 week of use, check that the screws are properly tightened.
-  Before first use, make sure all parts are properly assembled and connected.



TECHNICAL SPECIFICATIONS

Frame extension range	975mm-1485mm
Height Range	712mm-1212mm
Rated Load	70Kg
Standard Color	White/Black/Silver
Max.Speed	25mm/s
Number of Motors	1
Noise	<50dB
Duty cycle	S2-20 min.Continuous work for most 2 minutes in a period of 20 minutes
Working Environment	Indoor



M6*25 screw

x4



ST5*20 screw

x12



M6*14 screw

x8



M6*10 screw

x4



ST5*16 screw

x2



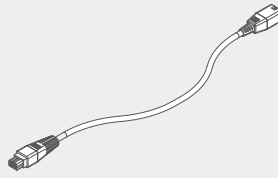
M5*35 screw

x2



Connect cable

x1



M6*16 screw

x4



M8*8 screw

x2



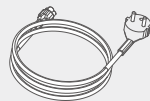
Hook and loop fasteners

x2



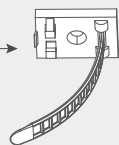
Power code

x1



Cable clip

x5



Open end wrench

x1



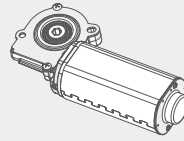
Center rail

x1



Motor

x1



Frame(R)

x1



Frame(L)

x1



Wrench

x1



Column(L)

x1



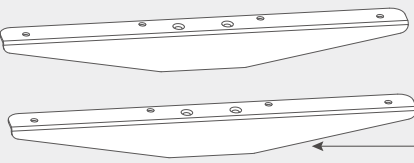
Column(R)

x1



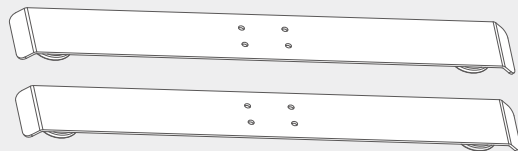
Side bracket

x2



Foot

x2



Hexagon bar

x2



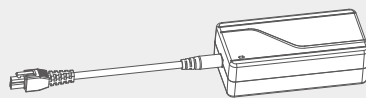
Aluminum drive lever

x1



Adapter

x1

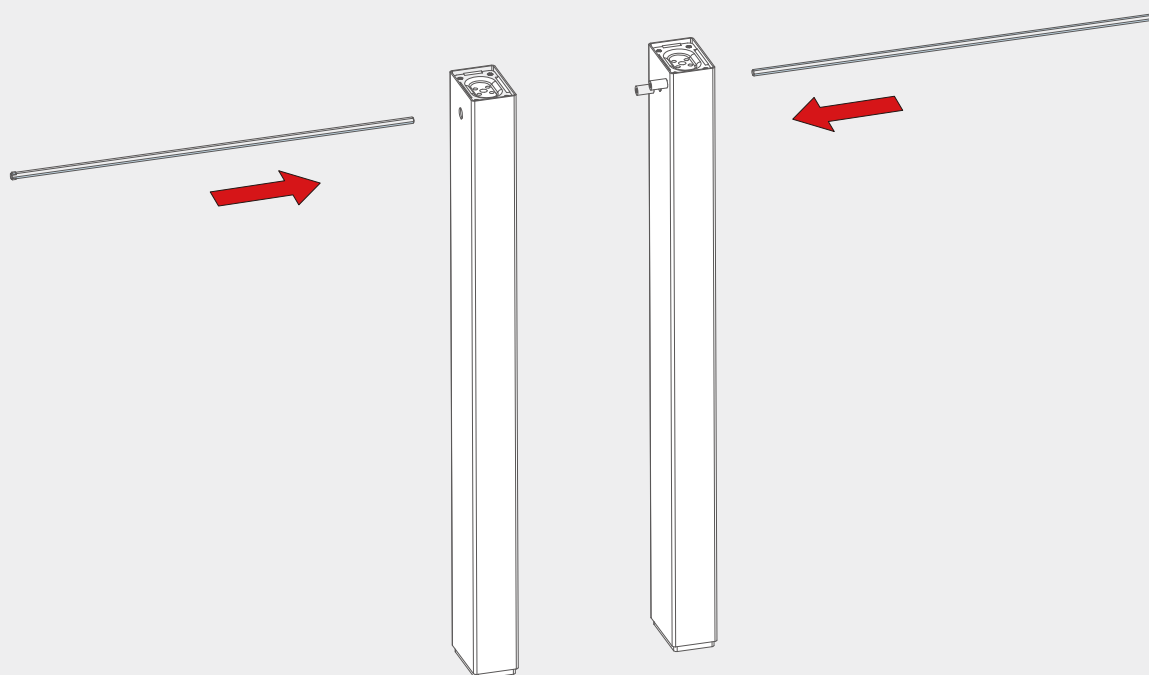


Handset

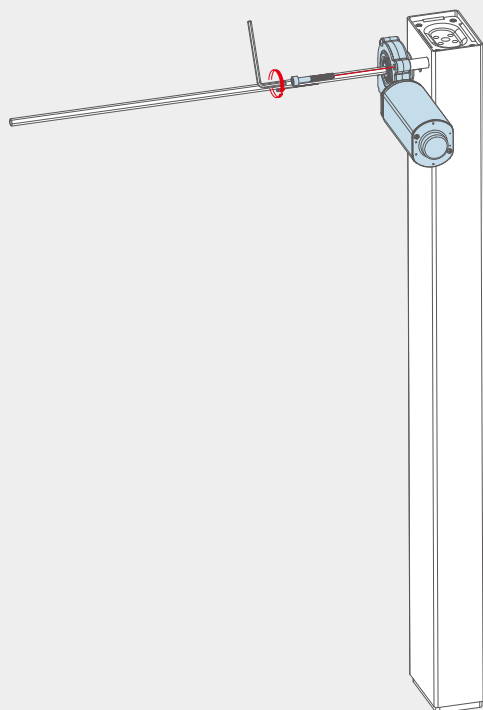
x1



01



02

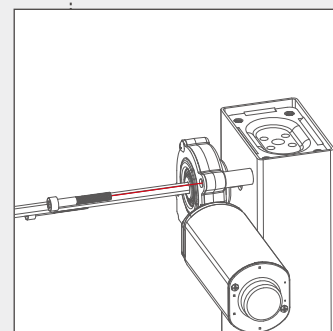


Wrench

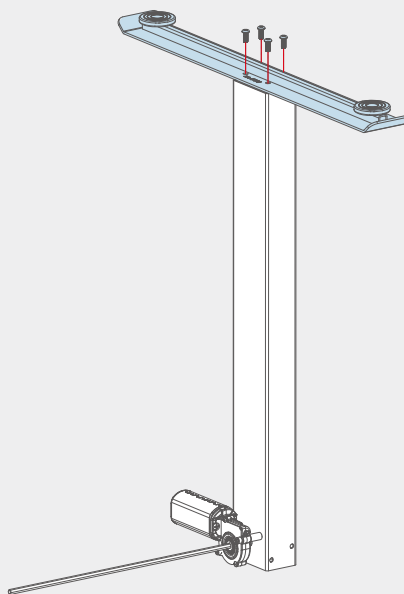
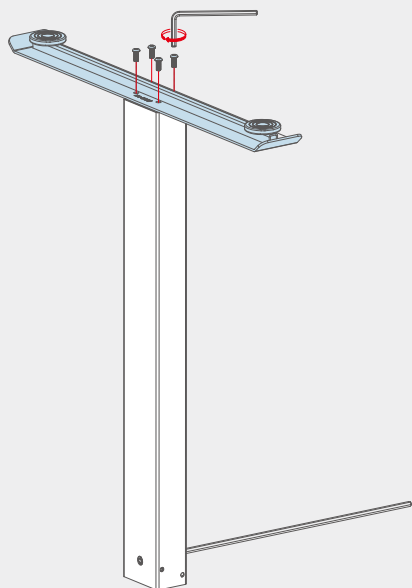


X2

M5*35 screw



03



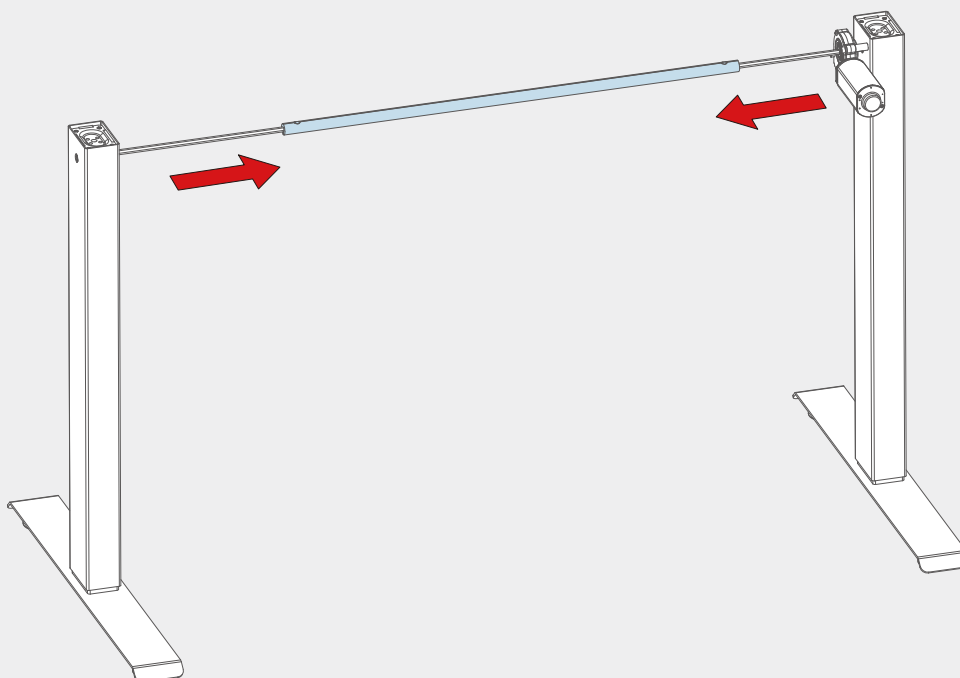
Wrench



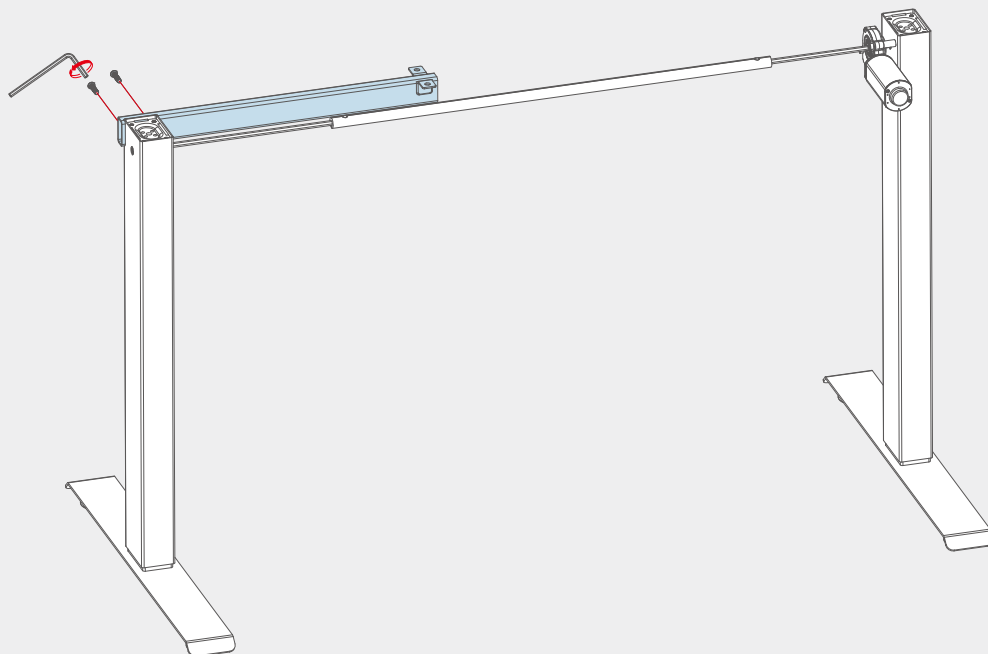
X8

M6*14 screw

04



05



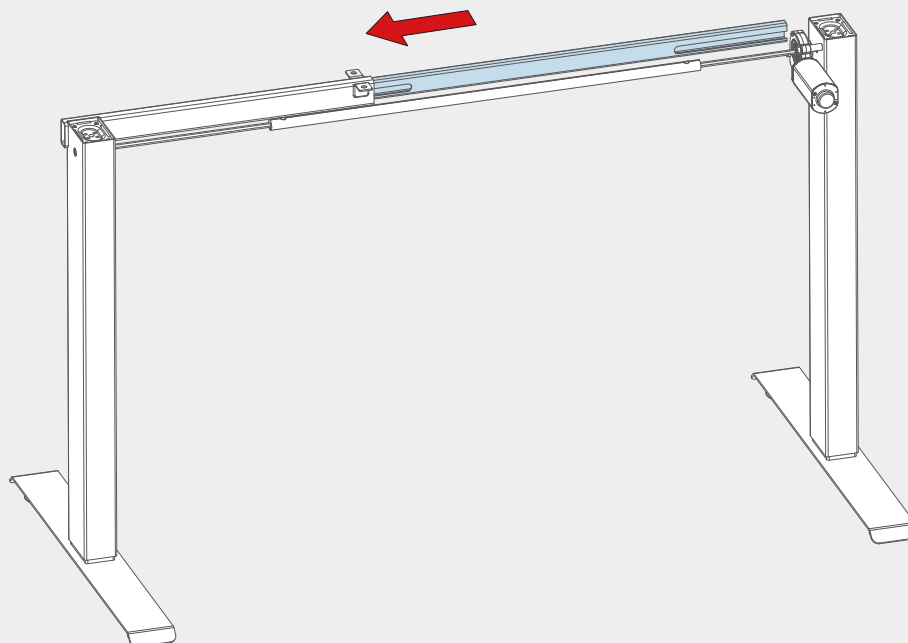
Wrench



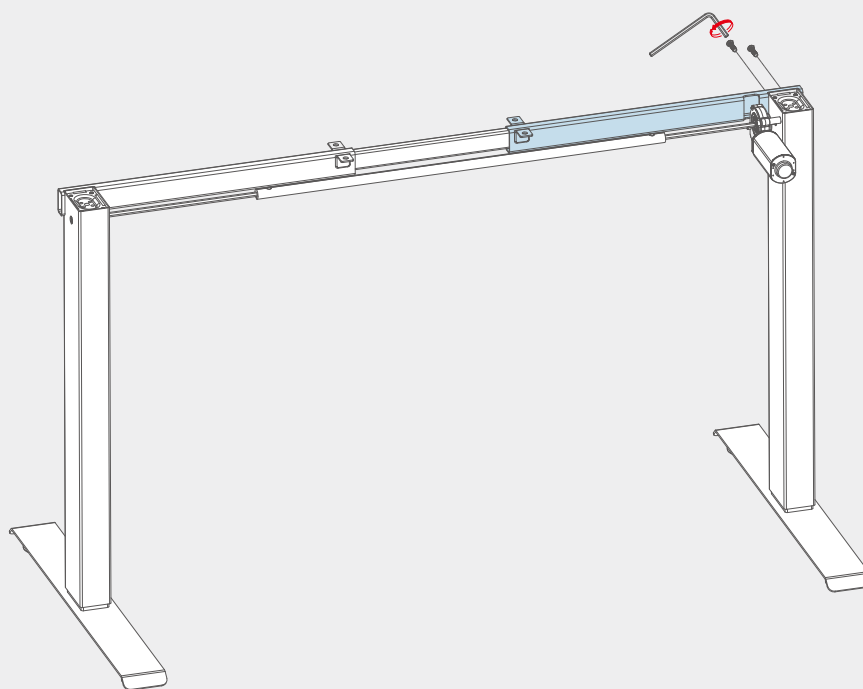
X2

M6*25 screw

06



07



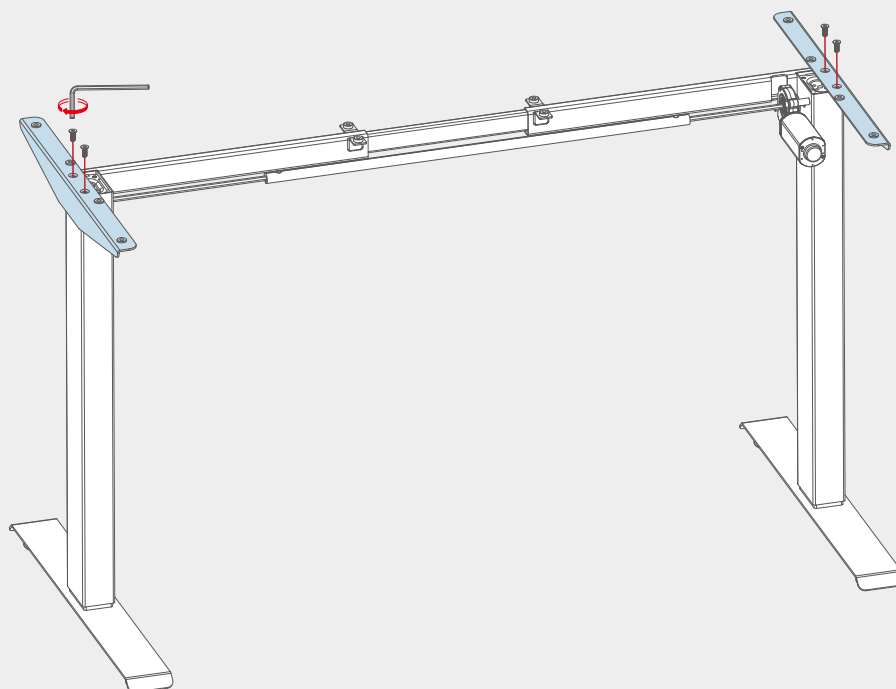
Wrench



X2

M6*25 screw

08



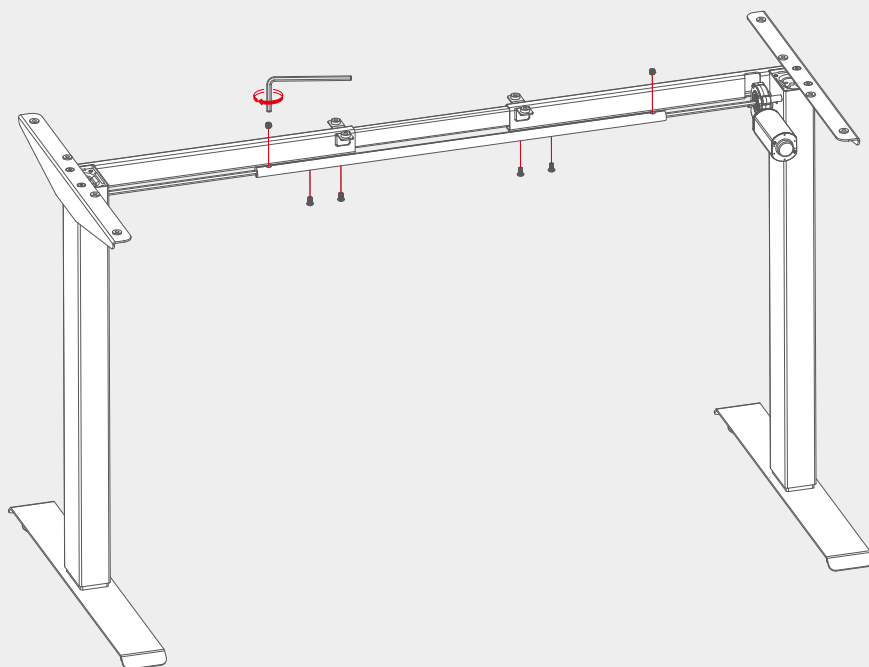
Wrench



X4

M6*16 screw

09



Wrench



X4

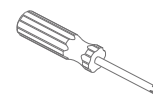
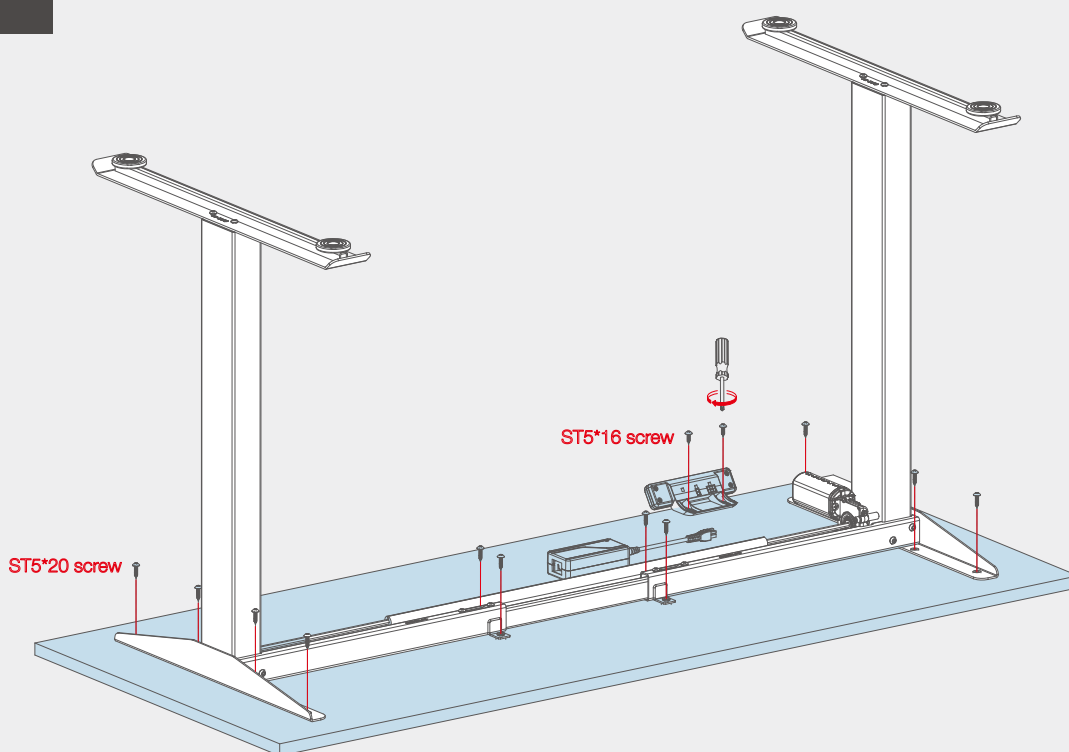
M6*10 screw



X2

M8*8 screw

10



Screwdriver



X 12

ST5*20 screw

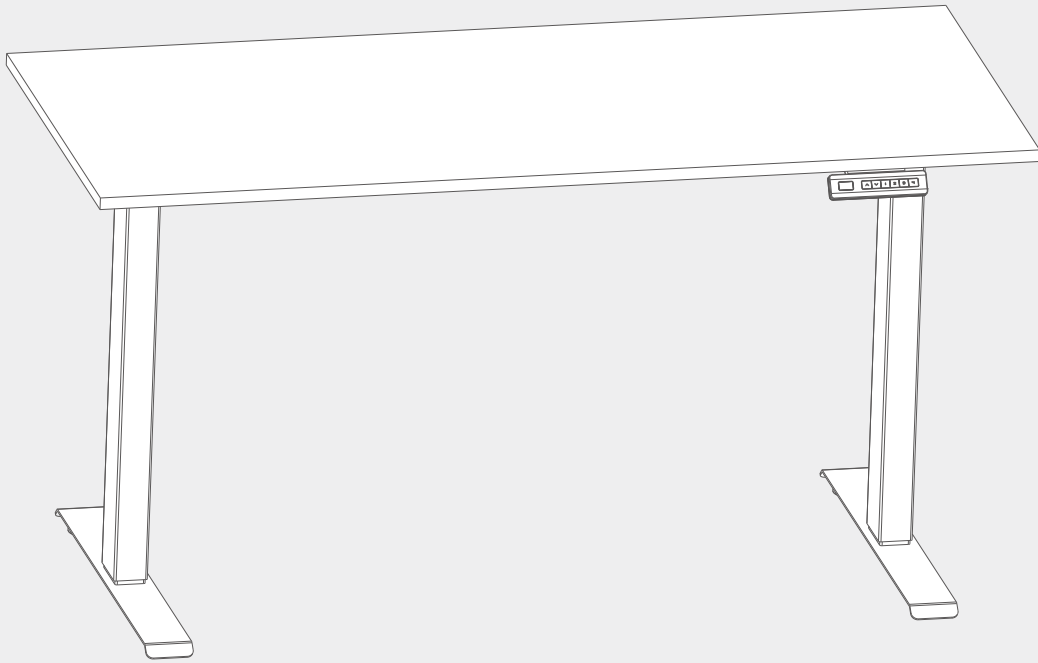


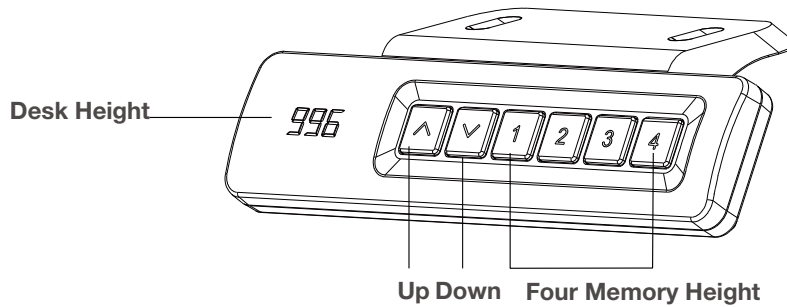
X 2

ST5*16 screw



11





Note

1. Please make sure no obstacles during up and down.
2. Don't make the desktop attach to wall.

Suggestion

Set height 1 as the most comfortable height when you sitting; set height 2 as the most comfortable height when you standing; set height 3 and height 4 as what you needed.

1. lifting function:

Press and hold the “ ^ ” button, the desk goes up, press and hold the “ v ” button, the desk goes down, and release the button to stop.

2. Memory position function:

Press and hold the ①/②/③/④ button for 3 seconds, the number on the display will flash 3 times and then stop flashing, indicating that the memory position is stored successfully.

3. Set the lower limit:

After adjusting the height of the desk, press and hold the “ v ” and ① buttons together for 3 seconds, and “-dO” appears on the display, indicating that the lower limit is set successfully.

4. Set the upper limit:

After adjusting the height of the desk, press and hold the “ ^ ” and ① buttons together for 3 seconds, and “-UP” appears on the display, indicating that the upper limit is set successfully.

5. Cancel the lower limit:

When the lowest point display shows “-LO”, press the “ v ” and ① buttons together for 3 seconds, after the display flashes “-dO”, the lower limit is canceled.

6. Cancel the upper limit:

When the highest point display shows “-HI”, press the “ ^ ” and ① buttons together for 3 seconds, after the display flashes “-UP”, the upper limit is canceled.

7. Locking:

In normal operation mode, press and hold the ① and ② buttons together for 3 seconds, LOC will appear on the display, and the handset is successfully locked.

8. Unlock:

In the LOC locked state, press and hold the ① and ② buttons together for 3 seconds, the display will re-display the number, and the handset is successfully unlocked.



9. Reset:

The system needs to be reset under certain circumstances. Include:

- ① When using for the first time, power on the system and enter the reset state.
- ② Active reset to enter the reset state.
- ③ The system is abnormal and enters the reset state.

Operation: Long press the “ ” button to lower the desk to the lowset, then release the button and then press the “ ” button for 5 seconds, the handset will display "RST", release the button and long press the “ ” button until the display shows numbers.

10. Switching between centimeters and inches:

press and hold the ① and ③ buttons for 3 seconds, and the digital display unit completes the switching.

11. Set anti-collision sensitivity:

In the normal operation mode, press and hold the ① and ④ buttons for 3 seconds together, the display will display "S0X" and flash (X indicates the current sensitivity gear), at this time, adjust through “^” and “v” buttons, after the adjustment is completed, press and hold ① and ④ buttons for 3s together, the display will stop flashing and return to normal altitude display after 3s.

There are 4 levels of sensitivity:

- 1 - very sensitive
- 2 - Fairly sensitive
- 3 - insensitive
- 0 - no sensitivity

12. Motor overcurrent protection:

the display shows E01. When the desk is under overcurrent protection, it can be actively reset, and the desk can be used normally after the reset operation is completed.

13. Working system protection:

The display shows H01. When the desk enters the working mode protection, it needs to wait for 1-17 minutes and 30 seconds before resuming work. When the height is displayed on the handset, the desk can operate normally.

14. Error protection:

First, manually eliminate whether there is any abnormality in the desk, and then reset it. If the desk has been found to be tilted or tilted during operation, immediately stop the operation and contact the after-sales personnel to deal with it.